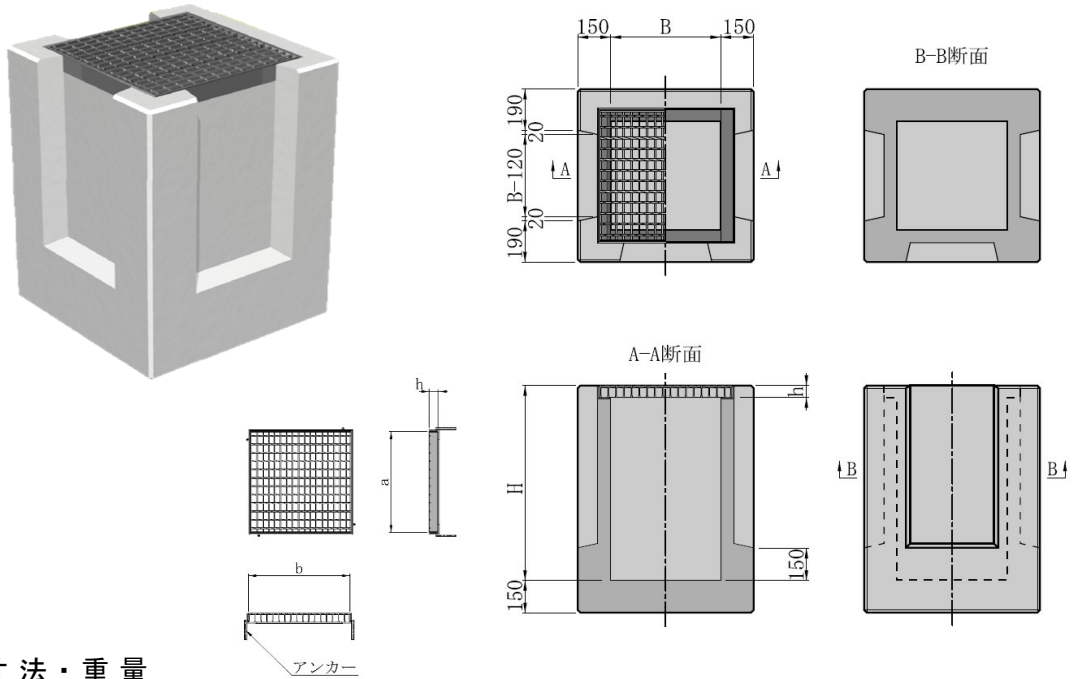


# HS集水桧 ~自由開口タイプ~ 【青森版】

## ■規格図



## ■寸法・重量

呼び名 (B×B×H)		参考重量 (kg)		寸法 (mm)			呼び名 (B×B×H)		参考重量 (kg)		寸法 (mm)		
B	H	本体	GR	h	a	b	B	H	本体	GR	h	a	b
500	500	595	27.1	55	600	600	900	900	1,450	95.3	75	1,000	995
	600	660						1,000	1,550				
	700	730						1,100	1,650				
	800	800						1,200	1,750				
	900	865						1,300	1,850				
	1,000	930						1,400	1,950				
600	600	775	40.2	60	700	700	900	1,500	2,050	67.5/71.8	90	1,100	537
	700	850						1,600	2,150				
	800	930						1,700	2,250				
	900	1,000						1,800	2,350				
	1,000	1,070						1,000	1,720				
	1,100	1,150						1,100	1,830				
700	700	980	55.4	65	800	800	1,000	1,200	1,930	104.5	100	1,300	642
	800	1,060						1,300	2,040				
	900	1,140						1,400	2,150				
	1,000	1,230						1,500	2,260				
	1,100	1,310						1,600	2,360				
	1,200	1,390						1,700	2,470				
	1,300	1,480						1,800	2,580				
	1,400	1,560						1,900	2,680				
1,500	1,640	2,000	2,790										
800	800	1,200	77.2	75	900	890	1,200	1,000	2,080	104.5	100	1,300	642
	900	1,290						1,100	2,210				
	1,000	1,380						1,200	2,330				
	1,100	1,470						1,300	2,450				
	1,200	1,570						1,400	2,580				
	1,300	1,660						1,500	2,700				
	1,400	1,750						1,600	2,820				
	1,500	1,840						1,700	2,940				
1,600	1,930	1,800	3,070										
								1,900	3,190				
								2,000	3,310				