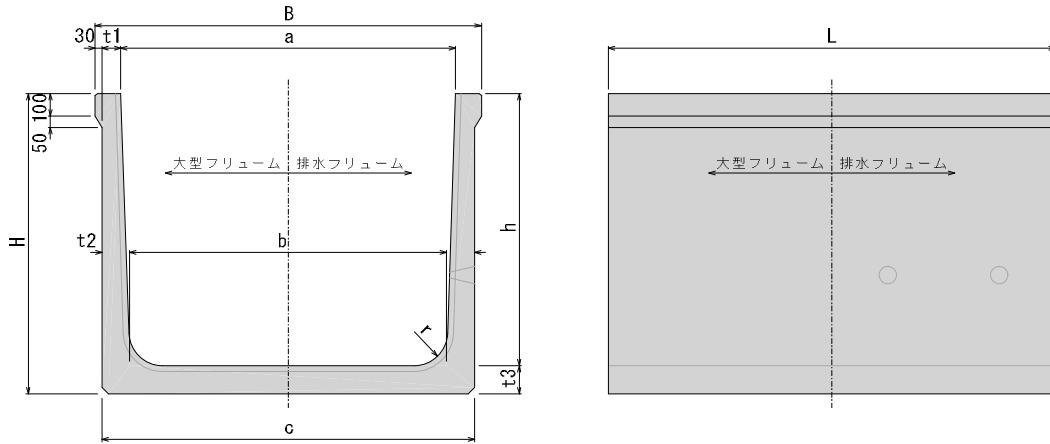


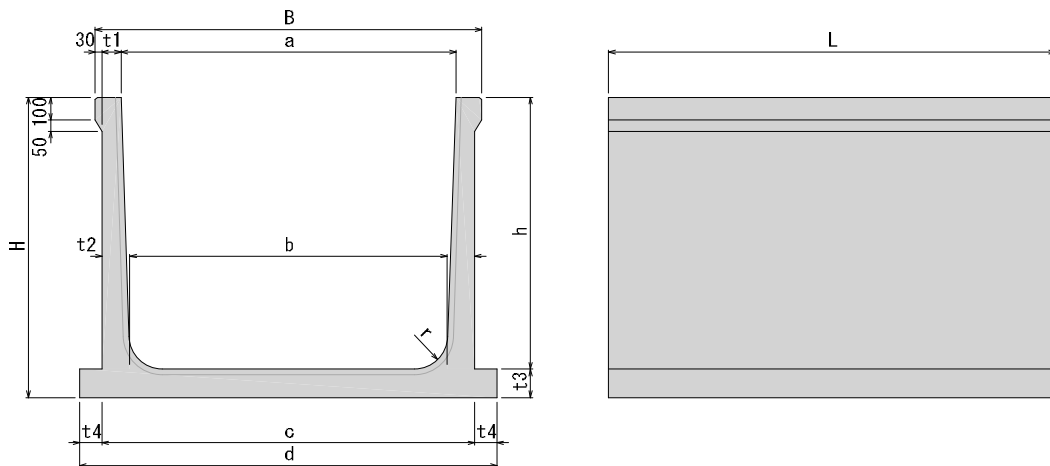
サイズ 700x1000~2000x3000

【農業土木事業協会規格】

## ■鉄筋コンクリート大型(排水)フリューム(Aタイプ) 規格図



## ■鉄筋コンクリート大型(排水)フリューム(Bタイプ) 規格図



サイズ 700x1000~1000x2000

【農業土木事業協会規格】

■寸法・重量

呼び名 h(深) x a(幅)	参考重量(kg)		寸法 (mm)																
	Aタイプ	Bタイプ	H	B	b	c	d	t1	t2, t3	t4	r	m	L						
700x1,000	1,100	—	795	1,200	950	1,140	70	95	50	100	30	2,000							
x1,100	1,150	—		1,300	1,050	1,240													
x1,200	1,190	—		1,400	1,150	1,340													
x1,300	1,240	1,290		1,500	1,250	1,440							1,540						
x1,400	1,280	1,330		1,600	1,350	1,540							1,640						
x1,500	1,320	1,380		1,700	1,450	1,640							1,740						
x1,600	1,370	1,420		1,800	1,550	1,740							1,840						
x1,700	1,410	1,510		1,900	1,650	1,840							2,040						
x1,800	1,460	1,550		2,000	1,750	1,940							2,140						
x1,900	1,500	1,600		2,100	1,850	2,040							2,240						
x2,000	1,550	1,640		2,200	1,950	2,140							2,340						
800x1,000	1,180	—		895	1,200	950							1,140	70	95	50	100	30	2,000
x1,100	1,220	—			1,300	1,050							1,240						
x1,200	1,270	1,310			1,400	1,150							1,340						
x1,300	1,310	1,360	1,500		1,250	1,440	1,540												
x1,400	1,360	1,400	1,600		1,350	1,540	1,640												
x1,500	1,400	1,450	1,700		1,450	1,640	1,740												
x1,600	1,450	1,540	1,800		1,550	1,740	1,940												
x1,700	1,490	1,580	1,900		1,650	1,840	2,040												
x1,800	1,540	1,630	2,000		1,750	1,940	2,140												
x1,900	1,580	1,670	2,100		1,850	2,040	2,240												
x2,000	1,630	1,720	2,200		1,950	2,140	2,340												
900x1,000	1,330	—	1,000		1,210	950	1,150	75	100	50	100	30	2,000						
x1,100	1,380	—			1,310	1,050	1,250												
x1,200	1,420	1,470			1,410	1,150	1,350												
x1,300	1,470	1,520		1,510	1,250	1,450	1,550												
x1,400	1,520	1,560		1,610	1,350	1,550	1,650												
x1,500	1,570	1,610		1,710	1,450	1,650	1,750												
x1,600	1,610	1,710		1,810	1,550	1,750	1,950												
x1,700	1,660	1,760		1,910	1,650	1,850	2,050												
x1,800	1,710	1,800		2,010	1,750	1,950	2,150												
x1,900	1,750	1,850		2,110	1,850	2,050	2,250												
x2,000	1,800	1,900		2,210	1,950	2,150	2,350												
1,000x1,000	1,530	—		1,110	1,210	930	1,150							75	110	50	150	30	2,000
x1,100	1,590	—			1,310	1,030	1,250												
x1,200	1,640	—			1,410	1,130	1,350												
x1,300	1,690	1,750	1,510		1,230	1,450	1,550												
x1,400	1,740	1,800	1,610		1,330	1,550	1,650												
x1,500	1,800	1,850	1,710		1,430	1,650	1,750												
x1,600	1,850	1,900	1,810		1,530	1,750	1,850												
x1,700	1,900	2,000	1,910		1,630	1,850	2,050												
x1,800	1,950	2,060	2,010		1,730	1,950	2,150												
x1,900	2,000	2,110	2,110		1,830	2,050	2,250												
x2,000	2,050	2,160	2,210		1,930	2,150	2,350												

※モーメントについては農業土木事業協会規格に準じております。担当営業にお問い合わせ下さい。

サイズ 1100x1100~1400x2200

【農業土木事業協会規格】

■寸法・重量

呼び名 h(深) x a(幅)	参考重量(kg)		寸法 (mm)																		
	Aタイプ	Bタイプ	H	B	b	c	d	t1	t2, t3	t4	r	m	L								
1,100×1,100	1,760	—	1,215	1,320	1,030	1,260	—	80	115	50	150	30	2,000								
×1,200	1,820			1,420	1,130	1,360															
×1,300	1,870			1,520	1,230	1,460															
×1,400	1,920			1,980	1,620	1,330	1,560							1,660							
×1,500	1,980			2,040	1,720	1,430	1,660							1,760							
×1,600	2,030			2,090	1,820	1,530	1,760							1,860							
×1,700	2,090			2,150	1,920	1,630	1,860							1,960							
×1,800	2,140			2,250	2,020	1,730	1,960							2,160							
×1,900	2,190			2,310	2,120	1,830	2,060							2,260							
×2,000	2,250			2,370	2,220	1,930	2,160							2,360							
×2,100	2,300			2,420	2,320	2,030	2,260							2,460							
1,200×1,200	2,060			—	1,325	1,430	1,120							1,370	—	85	125	50	150	30	2,000
×1,300	2,120					1,530	1,220							1,470							
×1,400	2,180					1,630	1,320							1,570							
×1,500	2,240	2,300	1,730			1,420	1,670	1,770													
×1,600	2,300	2,360	1,830			1,520	1,770	1,870													
×1,700	2,360	2,420	1,930			1,620	1,870	1,970													
×1,800	2,410	2,480	2,030			1,720	1,970	2,070													
×1,900	2,470	2,590	2,130			1,820	2,070	2,270													
×2,000	2,530	2,650	2,230			1,920	2,170	2,370													
×2,100	2,590	2,710	2,330			2,020	2,270	2,470													
×2,200	2,650	2,770	2,430			2,120	2,370	2,570													
1,300×1,300	2,490	—	1,440			1,550	1,210	1,490	—	95	140	50	150	30	2,000						
×1,400	2,550					1,650	1,310	1,590													
×1,500	2,620					1,750	1,410	1,690													
×1,600	2,690			1,850	1,510	1,790															
×1,700	2,750			2,820	1,950	1,610	1,890	1,990													
×1,800	2,820			2,880	2,050	1,710	1,990	2,090													
×1,900	2,880			2,950	2,150	1,810	2,090	2,190													
×2,000	2,950			3,080	2,250	1,910	2,190	2,390													
×2,100	3,020			3,140	2,350	2,010	2,290	2,490													
×2,200	3,080			3,210	2,450	2,110	2,390	2,590													
×2,300	3,150			3,270	2,550	2,210	2,490	2,690													
1,400×1,400	2,890			—	1,440	1,670	1,310	1,610	—							105	150	50	150	30	2,000
×1,500	2,960					1,770	1,410	1,710													
×1,600	3,030					1,870	1,510	1,810													
×1,700	3,100	1,970	1,610			1,910															
×1,800	3,170	3,240	2,070			1,710	2,010	2,110													
×1,900	3,240	3,310	2,170			1,810	2,110	2,210													
×2,000	3,310	3,380	2,270			1,910	2,210	2,310													
×2,100	3,380	3,450	2,370			2,010	2,310	2,410													
×2,200	3,450	3,590	2,470			2,110	2,410	2,610													
×2,300	3,520	3,660	2,570			2,210	2,510	2,710													
×2,400	3,590	3,730	2,670			2,310	2,610	2,810													

※モーメントについては農業土木事業協会規格に準じております。担当営業にお問い合わせ下さい。

サイズ 1500x1700~2000x3000

【農業土木事業協会規格】

■寸法・重量

呼び名 h(深) x a(幅)	参考重量(kg)		寸法 (mm)										
	Aタイプ	Bタイプ	H	B	b	c	d	t1	t2, t3	t4	r	m	L
1,500×1,700	3,490	—	1,660	1,980	1,600	1,920	—	110	160	—	250	30	
×1,800	3,570			2,080	1,700	2,020							
×1,900	3,650	3,730		2,180	1,800	2,120						2,220	
×2,000	3,720	3,800		2,280	1,900	2,220						2,320	
×2,100	3,800	3,880		2,380	2,000	2,320						2,420	
×2,200	3,870	3,950		2,480	2,100	2,420						2,520	
×2,300	3,950	4,100		2,580	2,200	2,520						2,720	
×2,400	4,020	4,180		2,680	2,300	2,620						2,820	
×2,500	4,100	4,250		2,780	2,400	2,720						2,920	
×2,600	4,170	4,330		2,880	2,500	2,820						3,020	
×2,700	4,250	4,400		2,980	2,600	2,920						3,120	
1,600×1,800	3,910	—		1,770	2,090	1,690						2,030	
×1,900	3,990		2,190		1,790	2,130							
×2,000	4,070	4,160	2,290		1,890	2,230	2,330						
×2,100	4,150	4,240	2,390		1,990	2,330	2,430						
×2,200	4,230	4,320	2,490		2,090	2,430	2,530						
×2,300	4,310	4,400	2,590		2,190	2,530	2,630						
×2,400	4,390	4,560	2,690		2,290	2,630	2,830						
×2,500	4,470	4,640	2,790		2,390	2,730	2,930						
×2,600	4,550	4,720	2,890		2,490	2,830	3,030						
×2,700	4,630	4,800	2,990		2,590	2,930	3,130						
×2,800	4,710	4,880	3,090		2,690	3,030	3,230						
1,800×2,000	4,580	—	1,980		2,300	1,880	2,240	—	120	180	—	250	30
×2,100	4,660	4,760		2,400	1,980	2,340	2,440						
×2,200	4,750	4,840		2,500	2,080	2,440	2,540						
×2,300	4,830	4,930		2,600	2,180	2,540	2,640						
×2,400	4,920	5,090		2,700	2,280	2,640	2,840						
×2,500	5,000	5,180		2,800	2,380	2,740	2,940						
×2,600	5,090	5,260		2,900	2,480	2,840	3,040						
×2,700	5,170	5,350		3,000	2,580	2,940	3,140						
×2,800	5,260	5,430		3,100	2,680	3,040	3,240						
×2,900	5,340	5,520		3,200	2,780	3,140	3,340						
×3,000	5,430	5,690		3,300	2,880	3,240	3,540						
2,000×2,400	5,470	5,570		2,190	2,710	2,270	2,650						—
×2,500	5,560	5,750	2,810		2,370	2,750	2,950						
×2,600	5,650	5,840	2,910		2,470	2,850	3,050						
×2,700	5,740	5,930	3,010		2,570	2,950	3,150						
×2,800	5,830	6,020	3,110		2,670	3,050	3,250						
×2,900	5,920	6,110	3,210		2,770	3,150	3,350						
×3,000	6,010	6,200	3,310		2,870	3,250	3,450						

※モーメントについては農業土木事業協会規格に準じております。担当営業にお問い合わせ下さい。