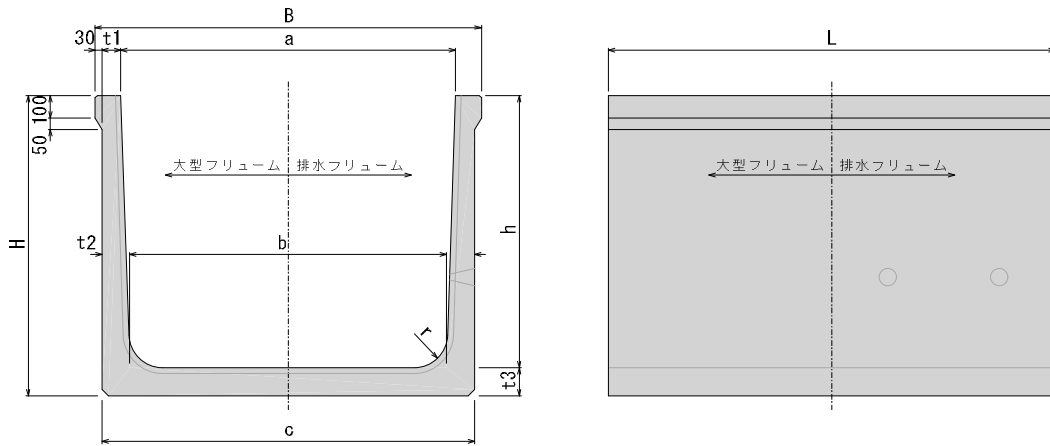
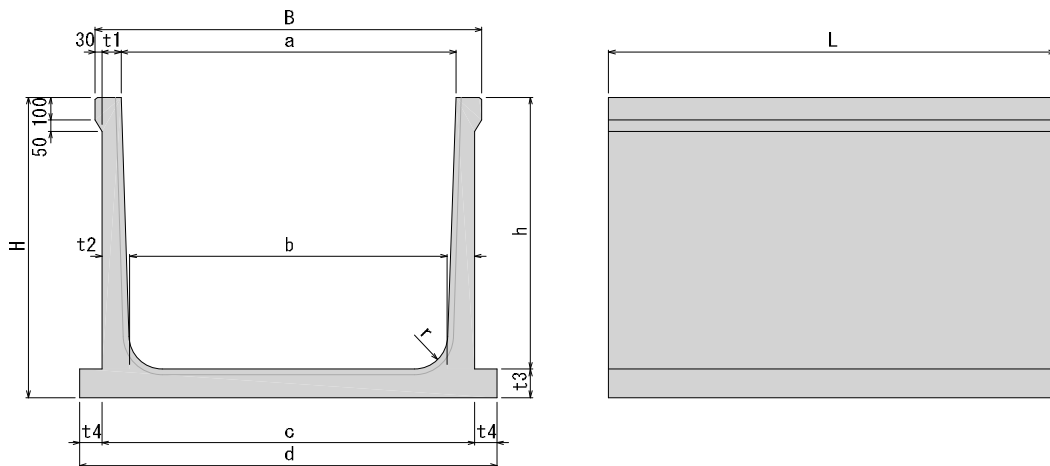


サイズ 700x1000~2000x3000  
【農業土木事業協会規格】

## ■鉄筋コンクリート大型(排水)フリューム(Aタイプ) 規格図



## ■鉄筋コンクリート大型(排水)フリューム(Bタイプ) 規格図



サイズ 700x1000~1000x2000

【農業土木事業協会規格】

■ 寸法・重量

呼び名 h(深) x a(幅)	参考重量(kg)		寸法 (mm)																	
	Aタイプ	Bタイプ	H	B	b	c	d	t1	t2, t3	t4	r	L								
700×1,000	1,100	—	795	1,200	950	1,140	—	70	95	50	100	2,000								
×1,100	1,150			1,300	1,050	1,240														
×1,200	1,190			1,400	1,150	1,340														
×1,300	1,240			1,500	1,250	1,440							1,540							
×1,400	1,280			1,600	1,350	1,540							1,640							
×1,500	1,320			1,700	1,450	1,640							1,740							
×1,600	1,370			1,800	1,550	1,740							1,840							
×1,700	1,410			1,900	1,650	1,840							2,040							
×1,800	1,460			2,000	1,750	1,940							2,140							
×1,900	1,500			2,100	1,850	2,040							2,240							
×2,000	1,550			2,200	1,950	2,140							2,340							
800×1,000	1,180			—	895	1,200							950	1,140	—	70	95	50	100	2,000
×1,100	1,220					1,300							1,050	1,240						
×1,200	1,270					1,400							1,150	1,340						
×1,300	1,310	1,500	1,250			1,440	1,540													
×1,400	1,360	1,600	1,350			1,540	1,640													
×1,500	1,400	1,700	1,450			1,640	1,740													
×1,600	1,450	1,800	1,550			1,740	1,940													
×1,700	1,490	1,900	1,650			1,840	2,040													
×1,800	1,540	2,000	1,750			1,940	2,140													
×1,900	1,580	2,100	1,850			2,040	2,240													
×2,000	1,630	2,200	1,950			2,140	2,340													
900×1,000	1,330	—	1,000			1,210	950	1,150	—	75	100	50	100	2,000						
×1,100	1,380					1,310	1,050	1,250												
×1,200	1,420					1,410	1,150	1,350												
×1,300	1,470			1,510	1,250	1,450	1,550													
×1,400	1,520			1,610	1,350	1,550	1,650													
×1,500	1,570			1,710	1,450	1,650	1,750													
×1,600	1,610			1,810	1,550	1,750	1,950													
×1,700	1,660			1,910	1,650	1,850	2,050													
×1,800	1,710			2,010	1,750	1,950	2,150													
×1,900	1,750			2,110	1,850	2,050	2,250													
×2,000	1,800			2,210	1,950	2,150	2,350													
1,000×1,000	1,530			—	1,110	1,210	930	1,150							—	75	110	50	150	2,000
×1,100	1,590					1,310	1,030	1,250												
×1,200	1,640					1,410	1,130	1,350												
×1,300	1,690	1,510	1,230			1,450	1,550													
×1,400	1,740	1,610	1,330			1,550	1,650													
×1,500	1,800	1,710	1,430			1,650	1,750													
×1,600	1,850	1,810	1,530			1,750	1,850													
×1,700	1,900	1,910	1,630			1,850	2,050													
×1,800	1,950	2,010	1,730			1,950	2,150													
×1,900	2,000	2,110	1,830			2,050	2,250													
×2,000	2,050	2,210	1,930			2,150	2,350													

※モーメントについては農業土木事業協会規格に準じております。担当営業にお問い合わせ下さい。

サイズ 1100x1100~1400x2200

【農業土木事業協会規格】

■ 寸法・重量

呼び名 h(深) x a(幅)	参考重量(kg)		寸法 (mm)																	
	Aタイプ	Bタイプ	H	B	b	c	d	t1	t2, t3	t4	r	L								
1,100×1,100	1,760	—	1,215	1,320	1,030	1,260	—	80	115	50	150	2,000								
×1,200	1,820			1,420	1,130	1,360														
×1,300	1,870			1,520	1,230	1,460														
×1,400	1,920			1,620	1,330	1,560							1,660							
×1,500	1,980			1,720	1,430	1,660							1,760							
×1,600	2,030			1,820	1,530	1,760							1,860							
×1,700	2,090			1,920	1,630	1,860							1,960							
×1,800	2,140			2,020	1,730	1,960							2,160							
×1,900	2,190			2,120	1,830	2,060							2,260							
×2,000	2,250			2,220	1,930	2,160							2,360							
×2,100	2,300			2,320	2,030	2,260							2,460							
1,200×1,200	2,060			—	1,325	1,430							1,120	1,370	—	85	125	50	150	2,000
×1,300	2,120					1,530							1,220	1,470						
×1,400	2,180					1,630							1,320	1,570						
×1,500	2,240	1,730	1,420			1,670	1,770													
×1,600	2,300	1,830	1,520			1,770	1,870													
×1,700	2,360	1,930	1,620			1,870	1,970													
×1,800	2,410	2,030	1,720			1,970	2,070													
×1,900	2,470	2,130	1,820			2,070	2,270													
×2,000	2,530	2,230	1,920			2,170	2,370													
×2,100	2,590	2,330	2,020			2,270	2,470													
×2,200	2,650	2,430	2,120			2,370	2,570													
1,300×1,300	2,490	—	1,440			1,550	1,210	1,490	—	95	140	50	150	2,000						
×1,400	2,550					1,650	1,310	1,590												
×1,500	2,620					1,750	1,410	1,690												
×1,600	2,690			1,850	1,510	1,790														
×1,700	2,750			1,950	1,610	1,890	1,990													
×1,800	2,820			2,050	1,710	1,990	2,090													
×1,900	2,880			2,150	1,810	2,090	2,190													
×2,000	2,950			2,250	1,910	2,190	2,390													
×2,100	3,020			2,350	2,010	2,290	2,490													
×2,200	3,080			2,450	2,110	2,390	2,590													
×2,300	3,150			2,550	2,210	2,490	2,690													
1,400×1,400	2,890			—	1,550	1,670	1,310	1,610							—	105	150	50	150	2,000
×1,500	2,960					1,770	1,410	1,710												
×1,600	3,030					1,870	1,510	1,810												
×1,700	3,100	1,970	1,610			1,910														
×1,800	3,170	2,070	1,710			2,010	2,110													
×1,900	3,240	2,170	1,810			2,110	2,210													
×2,000	3,310	2,270	1,910			2,210	2,310													
×2,100	3,380	2,370	2,010			2,310	2,410													
×2,200	3,450	2,470	2,110			2,410	2,510													
×2,300	3,520	2,570	2,210			2,510	2,610													
×2,400	3,590	2,670	2,310			2,610	2,710													

※モーメントについては農業土木事業協会規格に準じております。担当営業にお問い合わせ下さい。

サイズ 1500x1700~2000x3000

【農業土木事業協会規格】

■寸法・重量

呼び名 h(深) x a(幅)	参考重量(kg)		寸法 (mm)										
	Aタイプ°	Bタイプ°	H	B	b	c	d	t1	t2, t3	t4	r	L	
1,500×1,700	3,490	—	1,660	1,980	1,600	1,920	—	110	160	—	250	2,000	
×1,800	3,570			2,080	1,700	2,020							
×1,900	3,650	3,730		2,180	1,800	2,120							2,220
×2,000	3,720	3,800		2,280	1,900	2,220							2,320
×2,100	3,800	3,880		2,380	2,000	2,320							2,420
×2,200	3,870	3,950		2,480	2,100	2,420							2,520
×2,300	3,950	4,100		2,580	2,200	2,520							2,720
×2,400	4,020	4,180		2,680	2,300	2,620							2,820
×2,500	4,100	4,250		2,780	2,400	2,720							2,920
×2,600	4,170	4,330		2,880	2,500	2,820							3,020
×2,700	4,250	4,400		2,980	2,600	2,920							3,120
1,600×1,800	3,910	—		1,770	2,090	1,690							2,030
×1,900	3,990		2,190		1,790	2,130							
×2,000	4,070	4,160	2,290		1,890	2,230	2,330						
×2,100	4,150	4,240	2,390		1,990	2,330	2,430						
×2,200	4,230	4,320	2,490		2,090	2,430	2,530						
×2,300	4,310	4,400	2,590		2,190	2,530	2,630						
×2,400	4,390	4,560	2,690		2,290	2,630	2,830						
×2,500	4,470	4,640	2,790		2,390	2,730	2,930						
×2,600	4,550	4,720	2,890		2,490	2,830	3,030						
×2,700	4,630	4,800	2,990		2,590	2,930	3,130						
×2,800	4,710	4,880	3,090		2,690	3,030	3,230						
1,800×2,000	4,580	—	1,980		2,300	1,880	2,240	—	120	180	—	250	2,000
×2,100	4,660	4,760		2,400	1,980	2,340	2,440						
×2,200	4,750	4,840		2,500	2,080	2,440	2,540						
×2,300	4,830	4,930		2,600	2,180	2,540	2,640						
×2,400	4,920	5,090		2,700	2,280	2,640	2,840						
×2,500	5,000	5,180		2,800	2,380	2,740	2,940						
×2,600	5,090	5,260		2,900	2,480	2,840	3,040						
×2,700	5,170	5,350		3,000	2,580	2,940	3,140						
×2,800	5,260	5,430		3,100	2,680	3,040	3,240						
×2,900	5,340	5,520		3,200	2,780	3,140	3,340						
×3,000	5,430	5,690		3,300	2,880	3,240	3,540						
2,000×2,400	5,470	5,570		2,190	2,710	2,270	2,650						
×2,500	5,560	5,750	2,810		2,370	2,750	2,950						
×2,600	5,650	5,840	2,910		2,470	2,850	3,050						
×2,700	5,740	5,930	3,010		2,570	2,950	3,150						
×2,800	5,830	6,020	3,110		2,670	3,050	3,250						
×2,900	5,920	6,110	3,210		2,770	3,150	3,350						
×3,000	6,010	6,200	3,310		2,870	3,250	3,450						

※モーメントについては農業土木事業協会規格に準じております。担当営業にお問い合わせ下さい。